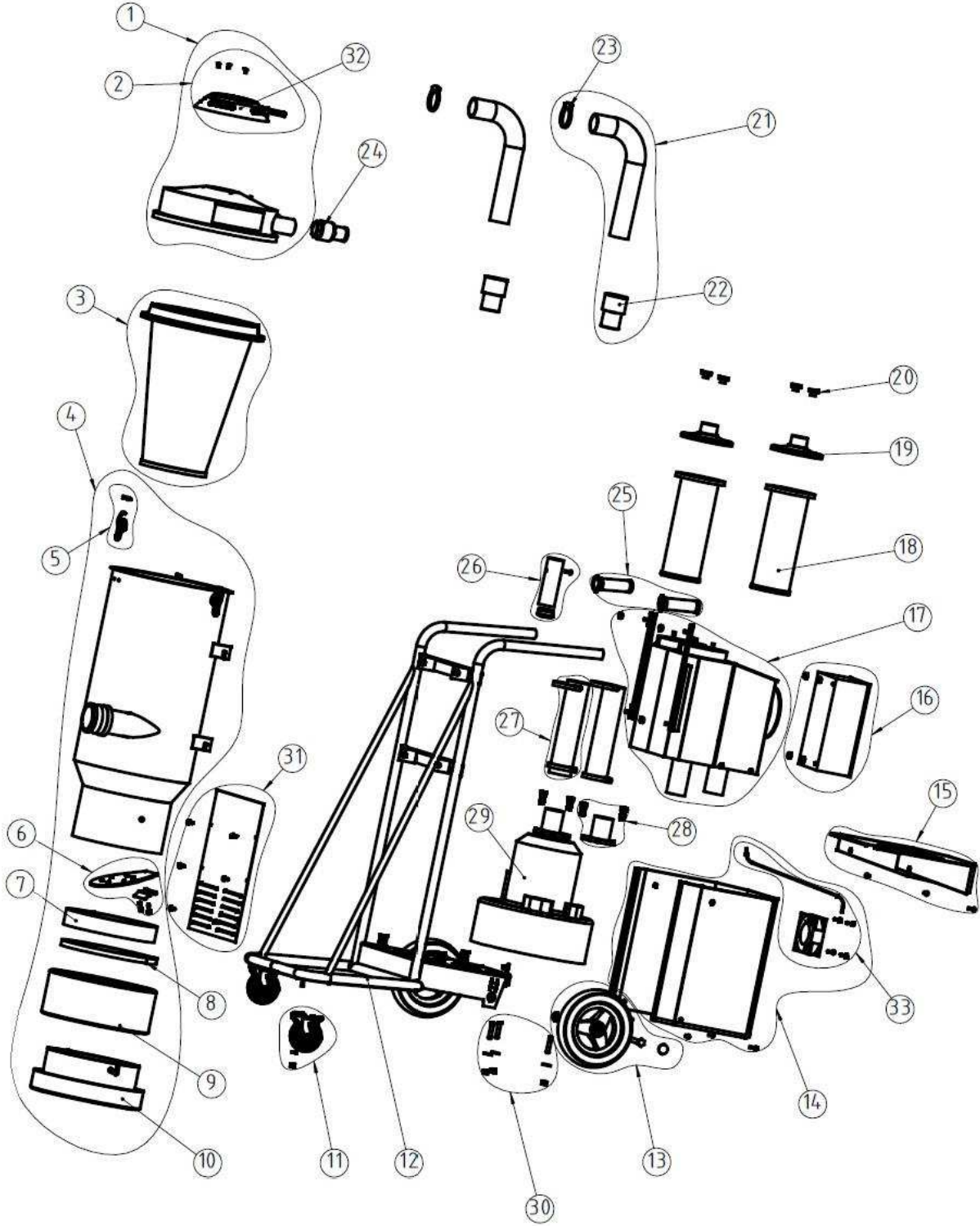


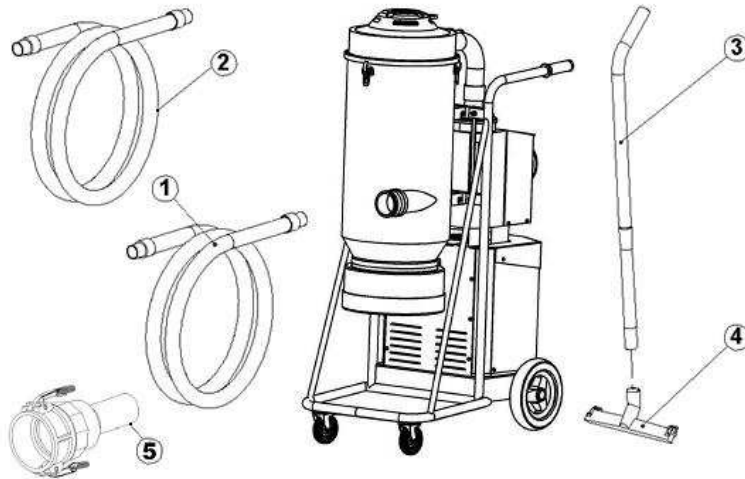
# Sprängskiss/Exploded view T4000



NUMBER	201000671a
MODEL	T4000
REV.	A-03

<b>POS.</b>	<b>QTY.</b>	<b>NUMBER</b>	<b>DESCRIPTION</b>
1	1	201100769	TOP COVER PACKING (ex. T4000)
2	1	201000118	CLEAN UNIT ASSEMBLY PACKING
3	1	200900051	FILTER
4	1	201100771	TANK COMPLETE (ex. T4000)
5	3	200600799	HOLDER KIT
6	1	201000116	FLAP KIT
7	1	201100141	ANTI-SKID PACKING
8	1	201100140	BELT PACKING
9	1	1376013	LONGOPAC BAG 4 PACK
10	1	201100135	LONGOPAC HOLDER PACKING
11	1	200800152	FRONT WHEEL KIT
12	1	201000209	WAGON ASSEMBLY
13	1	200800151	REAR WHEEL KIT
14	1	201100772	MOTOR COVER ASSEMBLY (ex. T4000)
15	1	201100773	TOP MOTOR COVER KIT (ex.T4000)
16	1	201100774	ELECTRIC BOX KIT (ex.T4000)
17	1	201100775	HEPA-FILTER BOX KIT (ex.T4000)
18	2	200700070a	HEPA-FILTER
19	2	201000121	FILTER COVER KIT
20	4	201100128	NUT
21	2	201100776	HOSE KIT (ex.T4000)
22	2	201100125	HOSE END (51MM) PACKING
23	2	201100137	HOSE CLAMP 60-65 PACKING
24	1	201100777	PRESSURE VALVE (ex.T4000)
25	1	201000206	HANDLE KIT PACKING
26	1	200800153	CLIP HOLDER KIT
27	2	201100778	MOTOR HOSE KIT (ex.T4000)
28	2	201100779	MOTOR HOSE CONNECTOR KIT (ex.T4000)
29	1	201100780	MOTOR
30	1	201100781	MOTOR SCREW AND NUT KIT (ex.T4000)
31	1	201100782	MOTOR FRONT COVER KIT (ex.T4000)
32	1	201000670	TOP COVER KIT (ex. CLEAN UNIT)
33	1	201100783	COOLING FAN KIT (ex.T4000)

# ACCESSORIES T4000 400 V



QTY	QTY	NUMER	DESCRIPTION	
1	1	200900054a	PIPE 76mm x 10m	
2	1	1225083	PIPE 51mm x 7,5m	
3	1	1224035	50mm teel tube Kit (2pc) dia 50	
4	1	1326087	ø 450 Floor Tool 50mm X 450mm	
5	1	201000029	CALIBRADOR 76 FEMALE - ø=50mm	

Revision 3