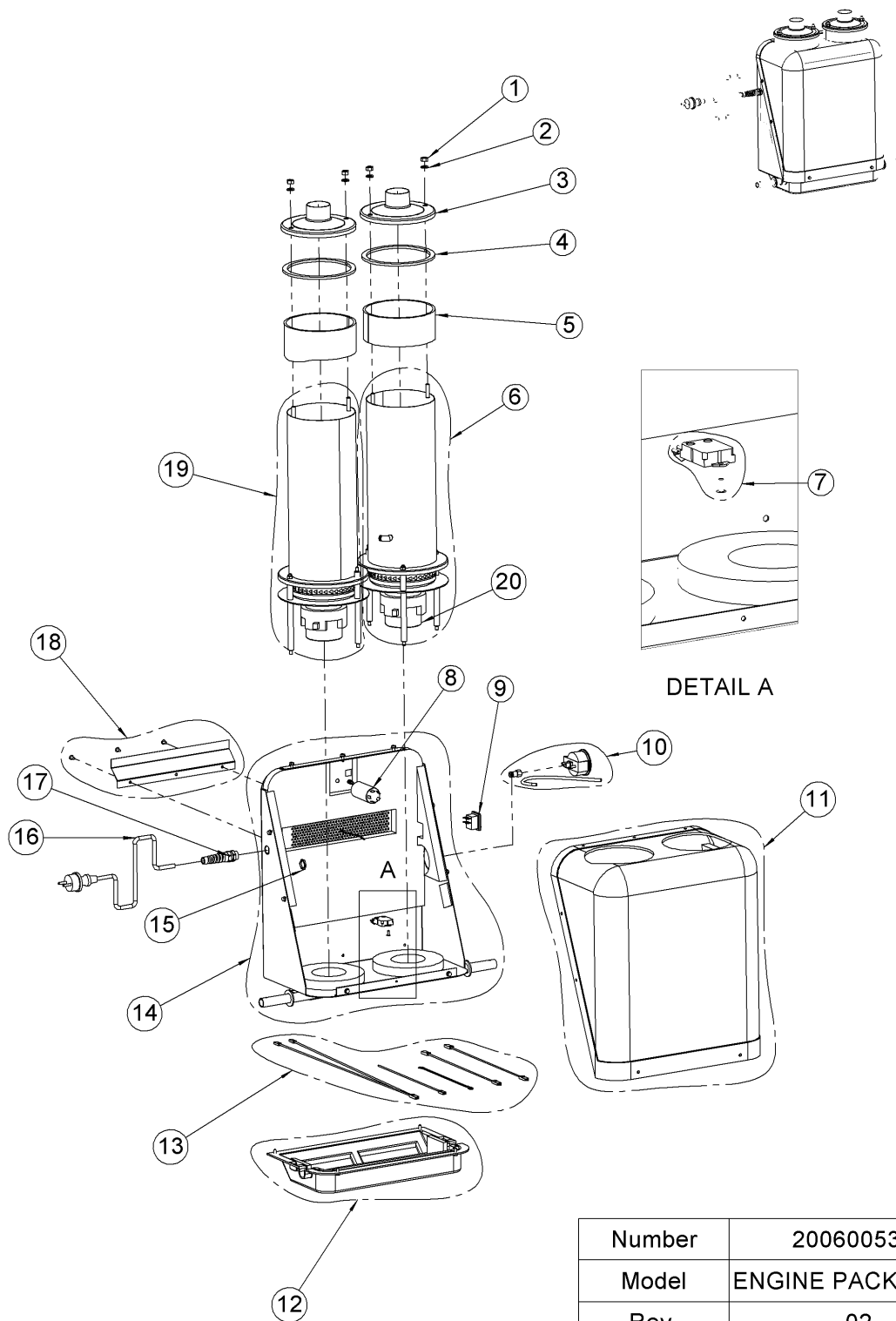


Number	200700164
Model	S2800H
Rev.	-002

POS.	QTY	NUMBER	BENÄMNING	DESCRIPTION
1	2	200600818	HJULSATS	WHEEL KIT
2	1	200600539c	MOTORPAKET H 230V	ENGINE PACK H 230V
3	2	1332036	SLANG, S51, L=0,33 m	HOSE, S51, L=0.33 m
4	1	200700191	NITSATS, STAVEX	RIVET KIT, STAVEX
5	1	200600037	VAGN	WAGON
6	2	200600797	LÄNKHJULSSATS	SWIVEL WHEEL KIT
7	1	200700181	HINK	BUCKET
8	1	1376004	PLASTPÅSE	PLASTIC BAG
9	1	200800117	SLANGSATS	HOSE KIT
10	2	200700194	EXCENTERLÅSSATS	EXCENTRIC LOCK KIT
11	1	200800024	SKYDDSHYLSA	PROTECTIVE BENNY
12	3	200600799	SPÄNNE SATS	HOLDER KIT
13	1	1337053	333H-FILTER	333H-FILTER
14	1	200600812	TANKTOPP KOMPLETT	TOP COVER COMPLETE
15	1	200600127	RENSENHET	CLEAN UNIT
16	1	1333017	NYLONSLANG, D=4 mm, L=95 mm	NYLON HOSE, D=4 mm, L=95 mm

Number	200700164
Model	S2800H
Rev.	-002



POS.	QTY	NUMBER	BENÄMNING	DESCRIPTION
1	4	6360106	M8 MUTTER	M8 NUT
2	4	1360129	8,4x16x1,6 BRICKA	8.4x16x1.6 WASHER
3	2	200700147	LOCK	COVER
4	2	200600078	TÄTNING	SEALING
5	2	200600080	TÄTNING	SEALING
6	1	200600084b	MOTORRÖR	ENGINE TUBE
7	1	200700410	MJUKSTART, SATS	SOFT START, KIT
8	1	1362165	AVSTÖRNINGSFILTER	ELECTRICAL FILTER
9	1	1362182	STRÖMBRYTARE	SWITCH
10	1	200700413	MANOMETER, SATS	MANOMETER, KIT
11	1	200600805	MOTORKÅPA 230V, SATS	ENGINE COVER 230V, KIT
12	1	200600806	MOTORLOCK, SATS	COVER, KIT
13	1	200700397	KABELSATS	CABLE, KIT
14	1	200600807	CHASSI, SATS	CHASSIS, KIT
15	1	1362055	KONTRAMUTTER, (PG11)	JAM NUT, (PG11)
16	1	1361023	SLADDSTÄLL	CORD SET
17	1	1362132	KABELFÖRSKRUVNING, (PG11)	CABLE FIX, (PG11)
18	1	200700190	LUFTSTYRNING, SATS	AIR DIFFUSER, KIT
19	1	200600084	MOTORRÖR	ENGINE TUBE
20	1	200700385	MOTOR 1200W, 230V BL2 1104RP	MOTOR 1200W, 230V BL2 1104RP

Number	200600539c
Model	ENGINE PACK H 230V
Rev.	02