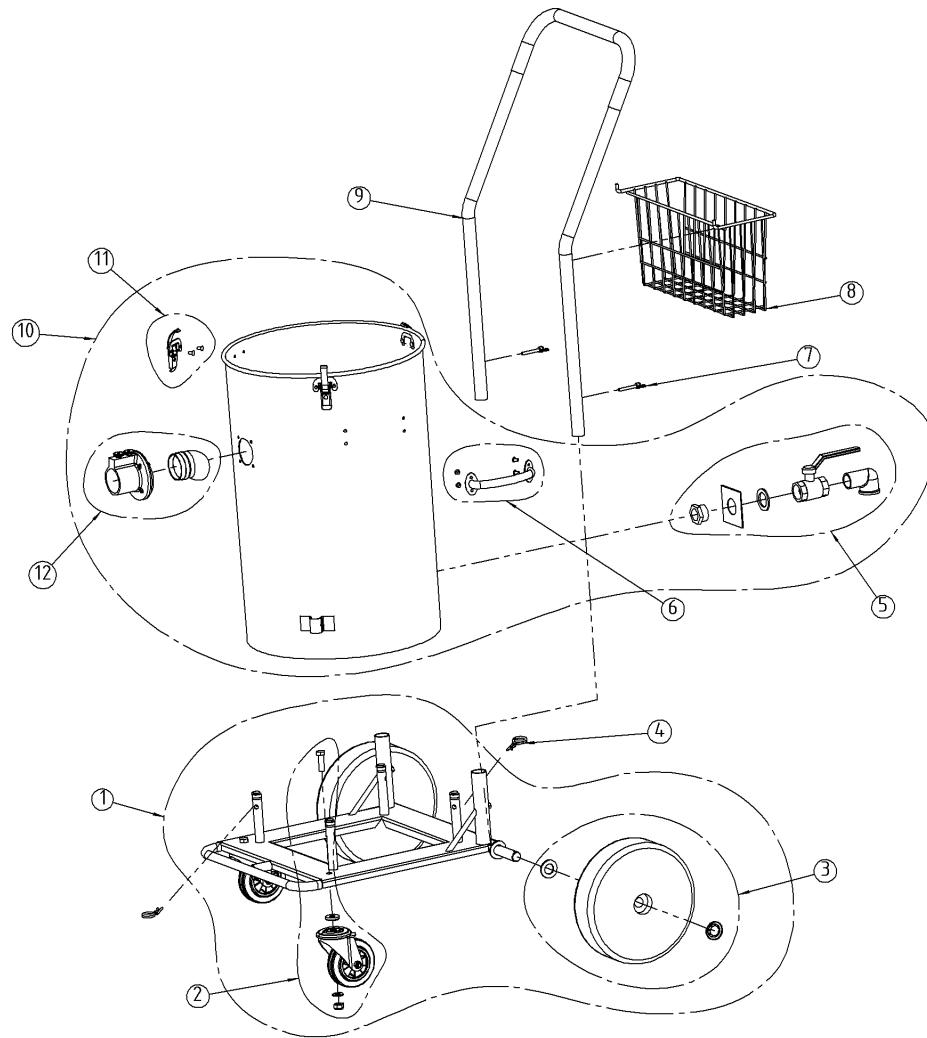
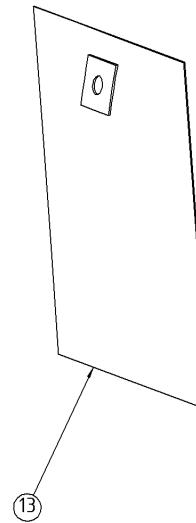


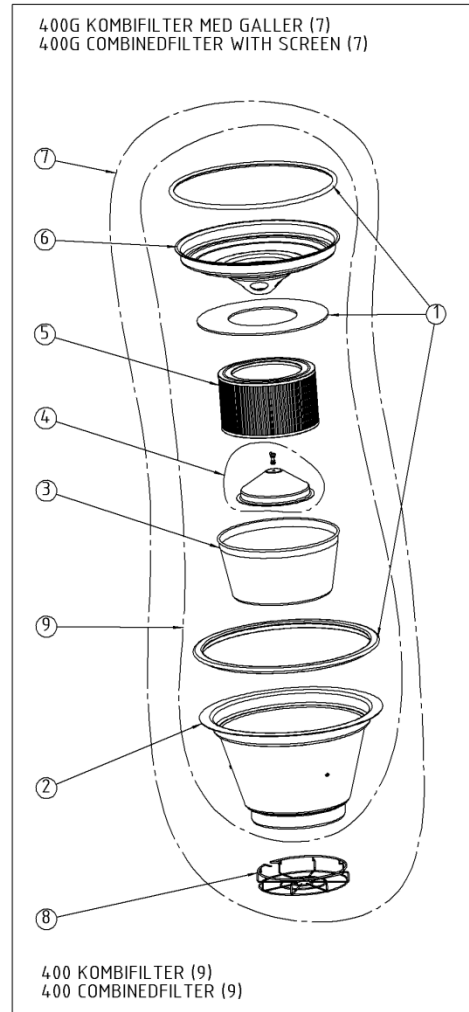
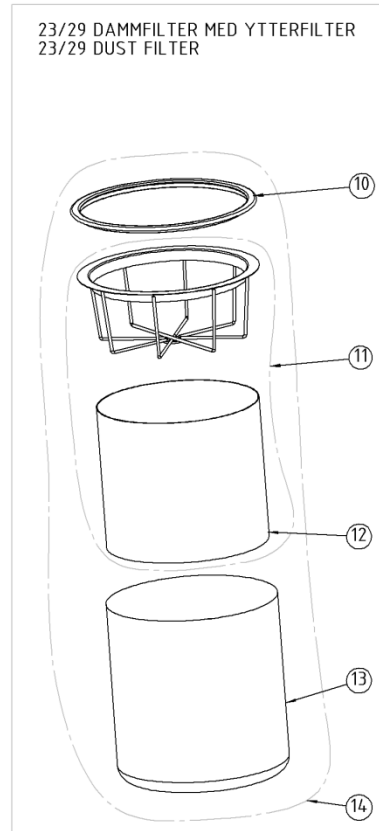
VAGN
WAGON



| POS. | QTY | NUMBER | BENÄMNING | DESCRIPTION |
|------|-----|-----------|----------------------------------|------------------------------------|
| 1 | 1 | 1223010 | VAGN | WAGON |
| 2 | 2 | 200700302 | FRAMHJULSSATS | FRONT WHEEL KIT |
| 3 | 2 | 200600796 | BAKHJULSSATS | REAR WHEEL KIT |
| 4 | 2 | 1357036 | LÄSSPRINT | LOCKING PIN |
| 5 | 1 | 200800211 | VENTILSATS | VALVE KIT |
| 6 | 2 | 200600819 | HANDTAGSSATS | HANDLE KIT |
| 7 | 2 | 1360165 | VINGSKRUV | FINGER SCREW |
| 8 | 1 | 1342005 | VERKTYGSKÖRG | TOOL BASKET |
| 9 | 1 | 1342003 | HANDTAG | HANDLE |
| 10 | 1 | 1222041 | TANK MED AVLOPP | TANK WITH DUMP VALVE |
| 11 | 3 | 200600799 | SPÄNNE, SATS | CLAMP |
| 12 | 1 | 1344002 | SLANGINTAG | TANK INLET |
| 13 | 1 | 4228086 | TH55 FLERSKIKTSPÅSE (10-PACK) | TH55 DISPOSABLE BAG (10 PCS) |

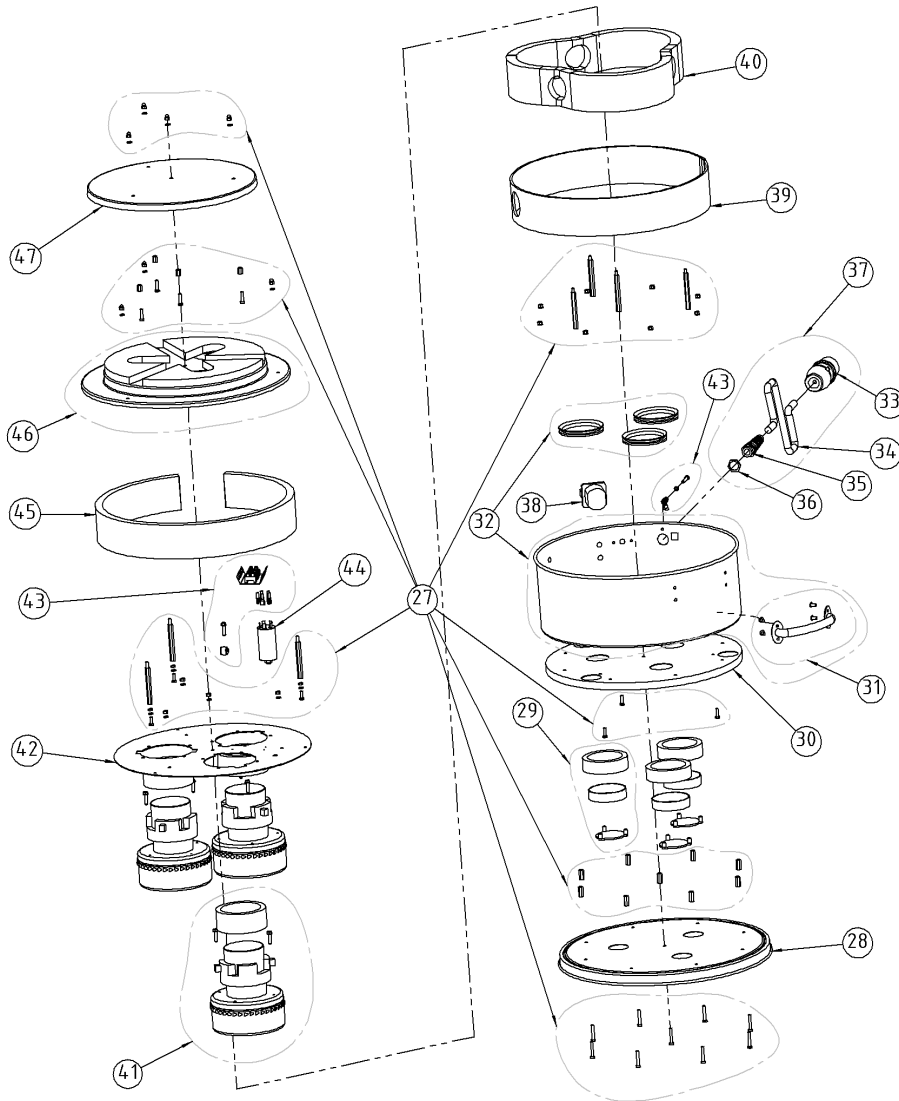


FILTER



| POS. | QTY | NUMBER | BENÄMNING | DESCRIPTION |
|------|-----|-----------|---------------------------------------|--|
| 1 | 1 | 200700306 | TÄTNINGAR, SATS | SEALINGS, KIT |
| 2 | 1 | 200700305 | AVSKILJARKÄRL, KOMPLETT | CYCLONE, COMPLETE |
| 3 | 1 | 1338014 | FLOTTÖR | FLOATING WESSEL |
| 4 | 1 | 200800229 | FILTERLOCK, SATS | FILTER CAP, KIT |
| 5 | 1 | 1337019 | FILTER | FILTER |
| 6 | 1 | 1338013 | FILTERHÅLLARE | FILTERHOLDER |
| 7 | 1 | 1220005 | 400 KOMBIFILTER, KOMPLETT | 400 COMBINED FILTER, COMPLETE |
| 8 | 1 | 1338018 | PÅSGALLER | BAG GUARD |
| 9 | 1 | 1220006 | 400G KOMBIFILTER MED GALLER, KOMPLETT | 400G COMBINED FILTER WITH SCREEN, COMPLETE |
| 10 | 1 | 1351007 | TÄTNINGSRING | SEALING RING |
| 11 | 1 | 200800212 | INNERFILTER, SATS | INNER FILTER, KIT |
| 12 | 1 | 1337001 | 23A INNERFILTER | 23A INNER FILTER |
| 13 | 1 | 1337003 | 29 YTTERFILTER | 29 OUTER FILTER |
| 14 | 1 | 1220002 | 23/29 DAMMFILTER | 23/29 DUST FILTER |

I3000 SUGAGGREGAT
I3000 SUCTION UNIT



| POS. | QTY | NUMBER | BENÄMNING | DESCRIPTION |
|------|--------|-----------|-------------------|---------------------|
| 27 | 1 | 200800213 | SKRUVSATS | SCREW KIT |
| 28 | 1 | 1350155 | BOTTENPLATTA | CAN CAP |
| 29 | 3 | 200800214 | MOTORVENTIL, SATS | ENGINE VALVE, KIT |
| 30 | 1 | 1350079 | STÖDPLATTA | MOTOR SUPPORT |
| 31 | 2 | 200600819 | HANDTAGSSATS | HANDLE KIT |
| 32 | 1 | 200800215 | MOTORHUS, SATS | ENGINE HOUSING, KIT |
| 33 | 1 | 1362163 | STICKPROPP | PLUG |
| 34 | 12,5 m | 1361025 | KABEL | CABLE |
| 35 | 1 | 1362184 | KABELFÖRSKRUVNING | CABLE INLET |
| 36 | 1 | 1362185 | KONTRAMUTTER | JAM NUT |
| 37 | 1 | 200800216 | SLADDSATS | CORD KIT |
| 38 | 1 | 1362162 | STRÖMSTÄLLARE | SWITCH |
| 39 | 1 | 1351087 | PACKNING | SEALING |
| 40 | 1 | 1351076 | LJUDISOLERING | SOUND INSULATION |
| 41 | 3 | 200800217 | MOTORSATS | ENGINE KIT |
| 42 | 1 | 1350156 | MELLANPLATTA | MOTOR SUPPORT |
| 43 | 1 | 200800218 | ELSATS | ELECTRICAL KIT |
| 44 | 1 | 1362165 | AVSTÖRNINGSFILTER | SUPPRESSOR |
| 45 | 1 | 1351080 | LJUDISOLERING | SOUND INSULATION |
| 46 | 1 | 200800219 | DISTANSLOCK, SATS | CAP, KIT |
| 47 | 1 | 1350067 | TOPPLOCK | CAP |