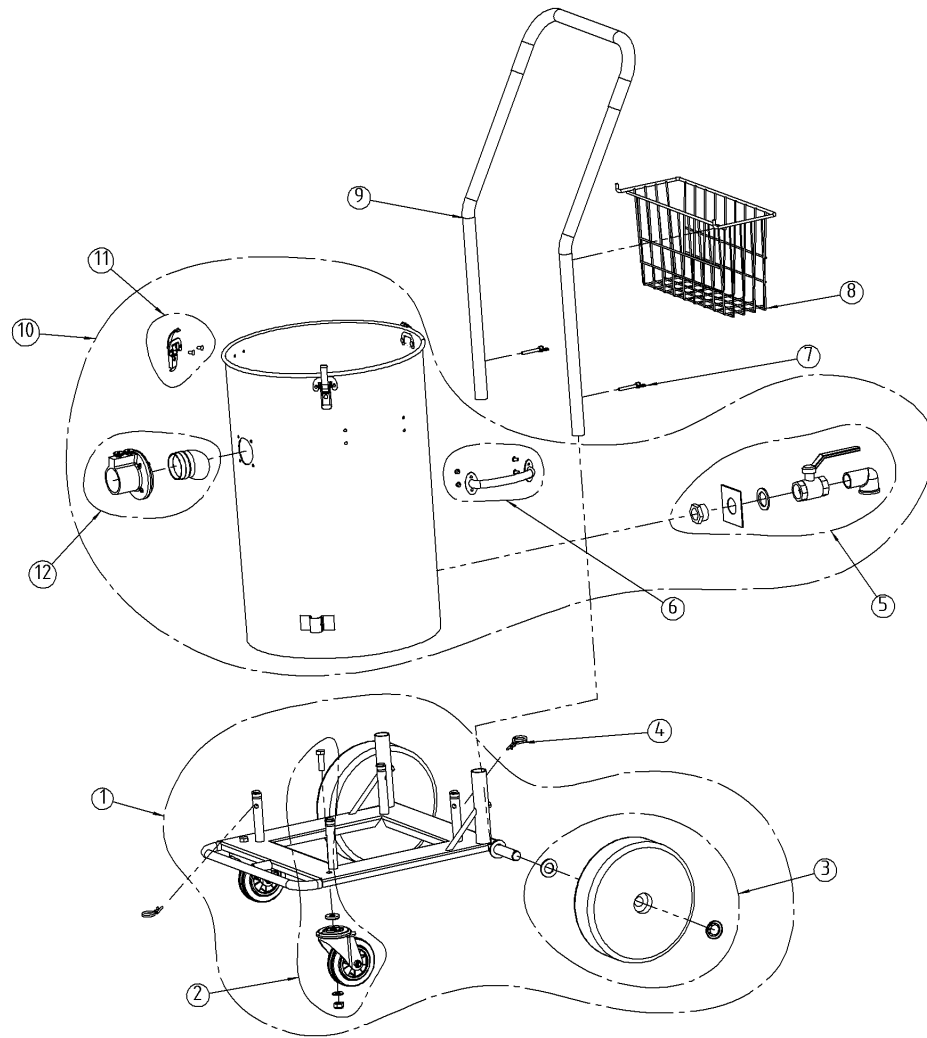
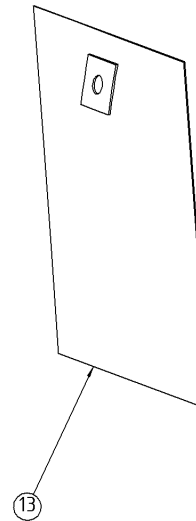


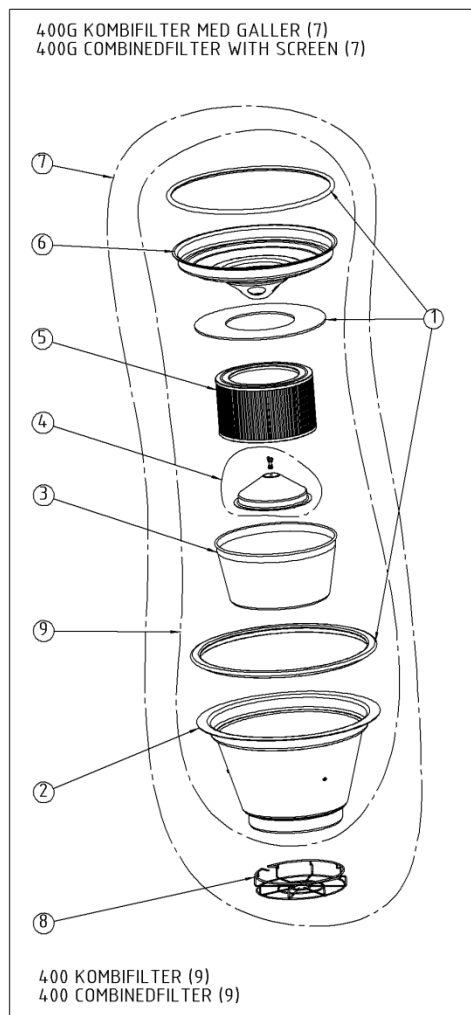
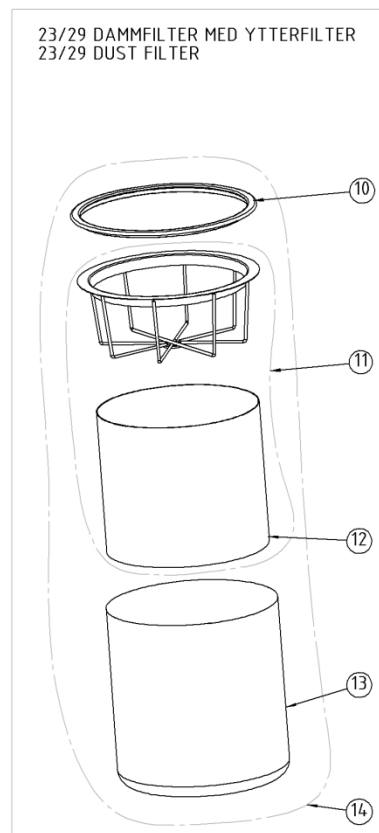
VAGN
WAGON



POS.	QTY	NUMBER	BENÄMNING	DESCRIPTION
1	1	1223010	VAGN	WAGON
2	2	200700302	FRAMHJULSSATS	FRONT WHEEL KIT
3	2	200600796	BAKHJULSSATS	REAR WHEEL KIT
4	2	1357036	LÄSSPRINT	LOCKING PIN
5	1	200800211	VENTILSATS	VALVE KIT
6	2	200600819	HANDTAGSSATS	HANDLE KIT
7	2	1360165	VINGSKRUV	FINGER SCREW
8	1	1342005	VERKTYGSKÖRG	TOOL BASKET
9	1	1342003	HANDTAG	HANDLE
10	1	1222041	TANK MED AVLOPP	TANK WITH DUMP VALVE
11	3	200600799	SPÄNNE, SATS	CLAMP
12	1	1344002	SLANGINTAG	TANK INLET
13	1	4228086	TH55 FLERSKIKTSPÅSE (10-PACK)	TH55 DISPOSABLE BAG (10 PCS)

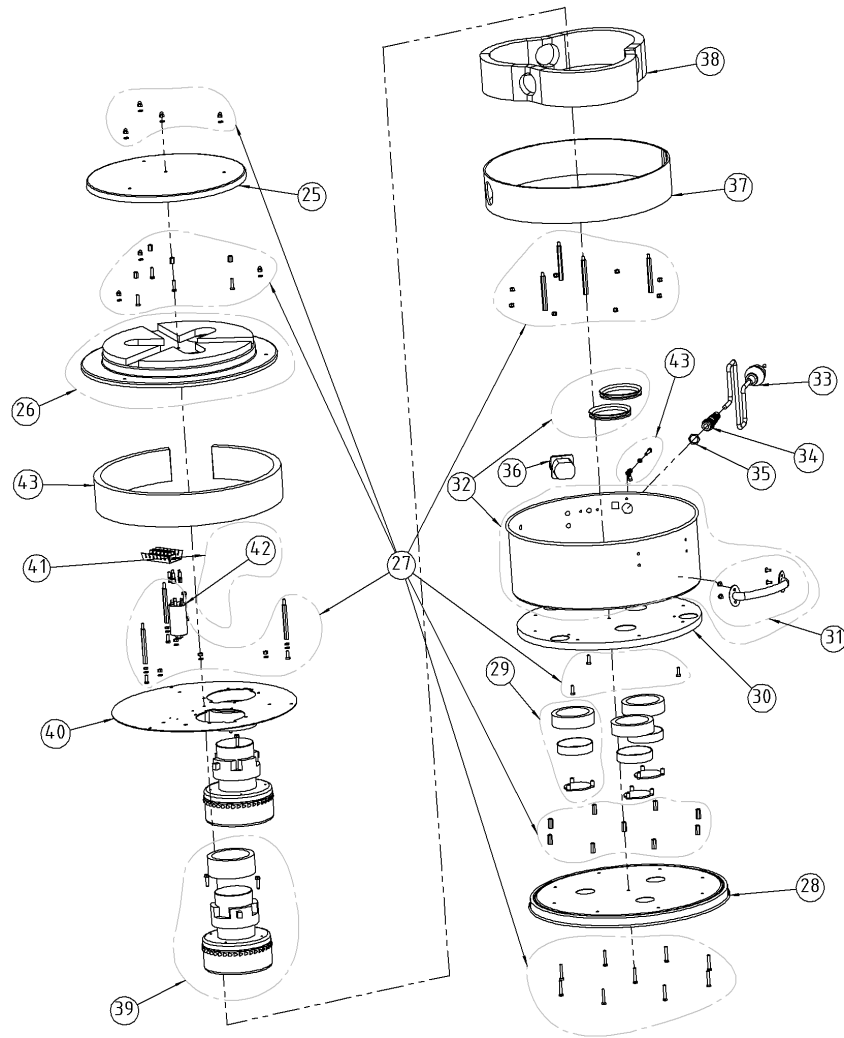


FILTER



POS.	QTY	NUMBER	BENÄMNING	DESCRIPTION
1	1	200700306	TÄTNINGAR, SATS	SEALINGS, KIT
2	1	200700305	AVSKILJARKÄRL, KOMPLETT	CYCLONE, COMPLETE
3	1	1338014	FLOTTÖR	FLOATING WESSEL
4	1	200800229	FILTERLOCK, SATS	FILTER CAP, KIT
5	1	1337019	FILTER	FILTER
6	1	1338013	FILTERHÅLLARE	FILTERHOLDER
7	1	1220005	400 KOMBIFILTER, KOMPLETT	400 COMBINED FILTER, COMPLETE
8	1	1338018	PÅSGALLER	BAG GUARD
9	1	1220006	400G KOMBIFILTER MED GALLER, KOMPLETT	400G COMBINED FILTER WITH SCREEN, COMPLETE
10	1	1351007	TÄTNINGSRING	SEALING RING
11	1	200800212	INNERFILTER, SATS	INNER FILTER, KIT
12	1	1337001	23A INNERFILTER	23A INNER FILTER
13	1	1337003	29 YTTERFILTER	29 OUTER FILTER
14	1	1220002	23/29 DAMMFILTER	23/29 DUST FILTER

I2000 SUGAGGREGAT
I2000 SUCTION UNIT



POS.	QTY	NUMBER	BENÄMNING	DESCRIPTION
25	1	1350067	TOPPLOCK	CAP
26	1	200800219	DISTANSLOCK, SATS	CAP, KIT
27	1	200800213	SKRUVSATS	SCREW KIT
28	1	1350155	BOTTENPLATTA	CAN CAP
29	3	200800214	MOTORVENTIL, SATS	ENGINE VALVE, KIT
30	1	1350161	STÖDPLATTA	MOTOR SUPPORT
31	2	200600819	HANDTAGSSATS	HANDLE KIT
32	1	200800215	MOTORHUS, SATS	ENGINE HOUSING, KIT
33	1	1361023	SLADDSTÄLL	CORD SET
34	1	1362132	KABELFÖRSKRUVNING	CABLE INLET
35	1	1362055	KONTRAMUTTER	JAM NUT
36	1	1362134	STRÖMSTÄLLARE	SWITCH
37	1	1351087	PACKNING	SEALING
38	1	1351076	LJUDISOLERING	SOUND INSULATION
39	3	200800217	MOTORSATS	ENGINE KIT
40	1	1350162	MELLANPLATTA	MOTOR SUPPORT
41	1	200800218	ELSATS	ELECTRICAL KIT
42	1	1362165	AVSTÖRNINGSFILTER	SUPPRESSOR
43	1	1351080	LJUDISOLERING	SOUND INSULATION