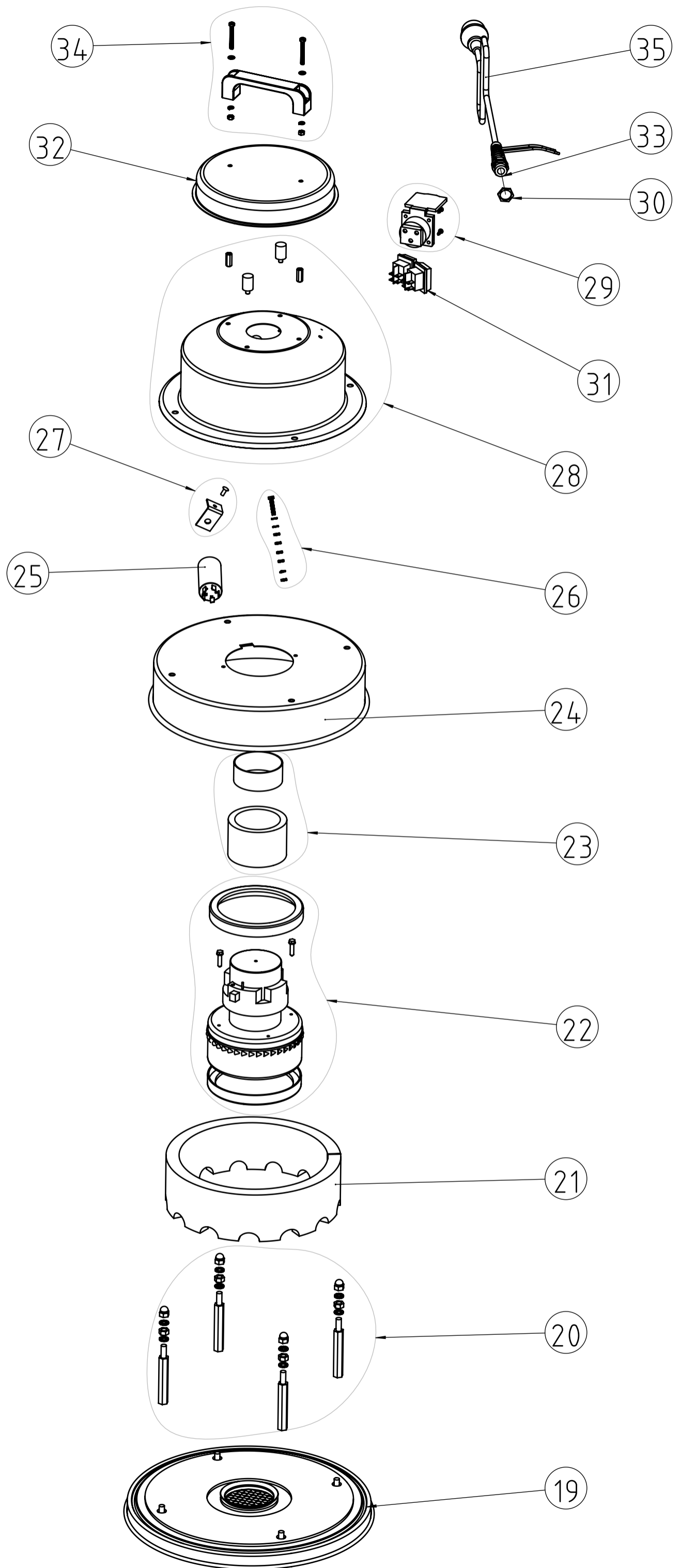


POS	QTY	Article Number	DESCRIPTION
1	1	591606501	WET PICK-UP
2	1	591666201	COLLECTING BASKET
3	1	591694801	HANDLE
4	1	591916601	CABLE INLET, KIT
5	1	591910701	TANK, KIT
6	2	591768901	FINGER SCREW
7	2	591910401	WHEEL, KIT
8	1	591695701	TROLLEY
9	1	591910501	FRONT WHEEL, KIT
10	1	591938001	SECURING PLATE, KIT
11	1	591910801	TANK, COMPLETE
12	1	590469501	TANK INLET, COMPLETE
13	1	590469601	SCOOP
14	3	590402701	HOLDER, KIT
15	1	591790301	PLUG (GROUNDED)
16	1	591704501	PUMP
17	1	591964201	CHECK VALVE
18	1	591739301	HOSE COUPLING



POS	QTY	Article Number	DESCRIPTION
19	1	591920201	CAN CAP, COMPLETE
20	1	591276301	SPACER, KIT
21	1	591523801	SOUND INSULATION
22	1	591912901	ENGINE, COMPLETE
23	1	592228401	SEALING, KIT
24	1	590476102	BLOWER CHAMBER, COMPLETE
25	1	591805601	ELECTRICAL FILTER
26	1	591910201	GROUND SCREW, KIT
27	1	592157201	ELECTRICAL FILTER HOLDER, KIT
28	1	591932101	DOMES, COMPLETE
29	1	590449901	ELECTRICAL OUTLET KIT
30	1	591789901	JAM NUT
31	1	590403001	SWITCH, KIT
32	1	590471001	CAP, COMPLETE
33	1	591794701	CABLE FIX
34	1	591250201	HANDLE, KIT
35	1	591843501	CORD SET