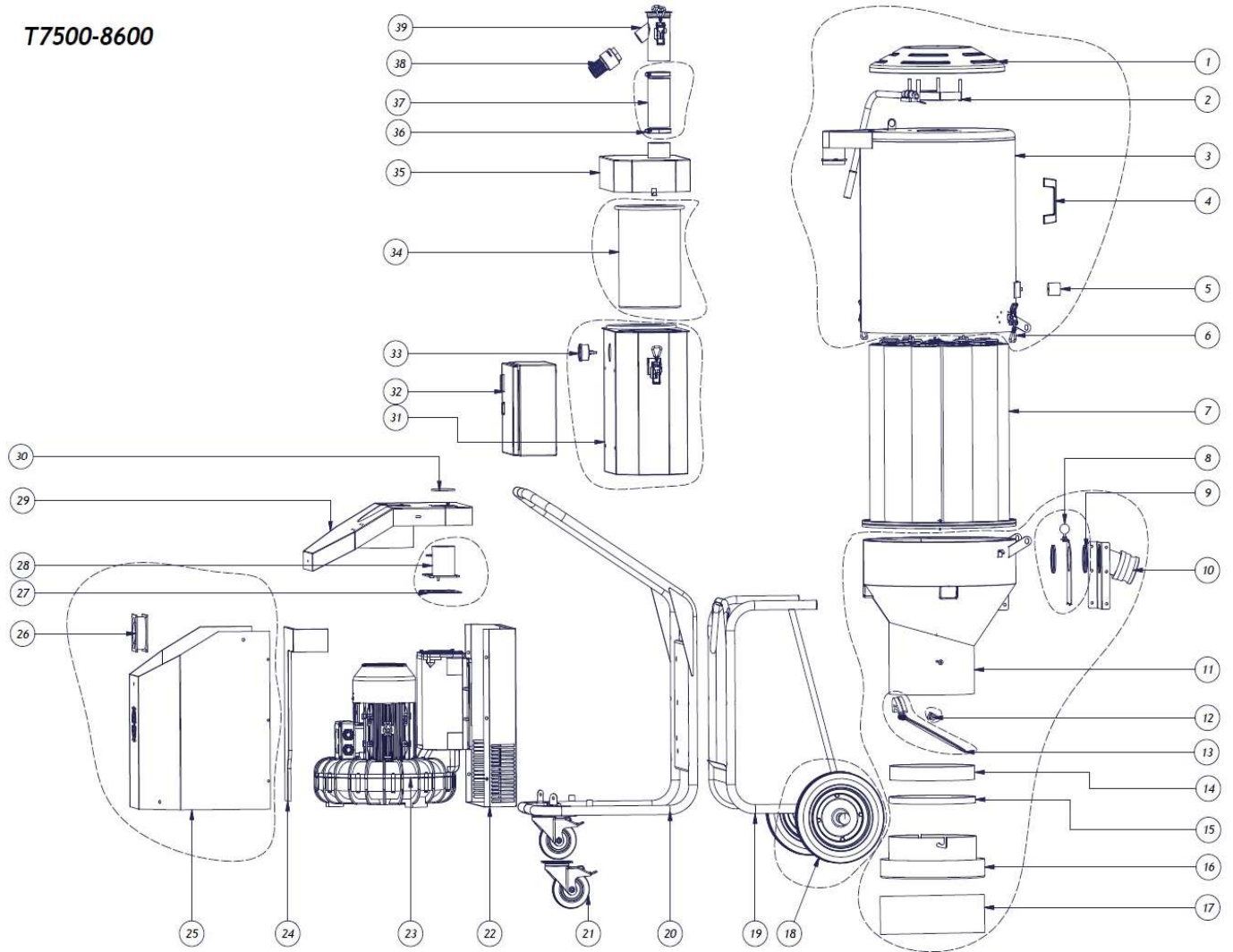


12. EXPLODED VIEWS

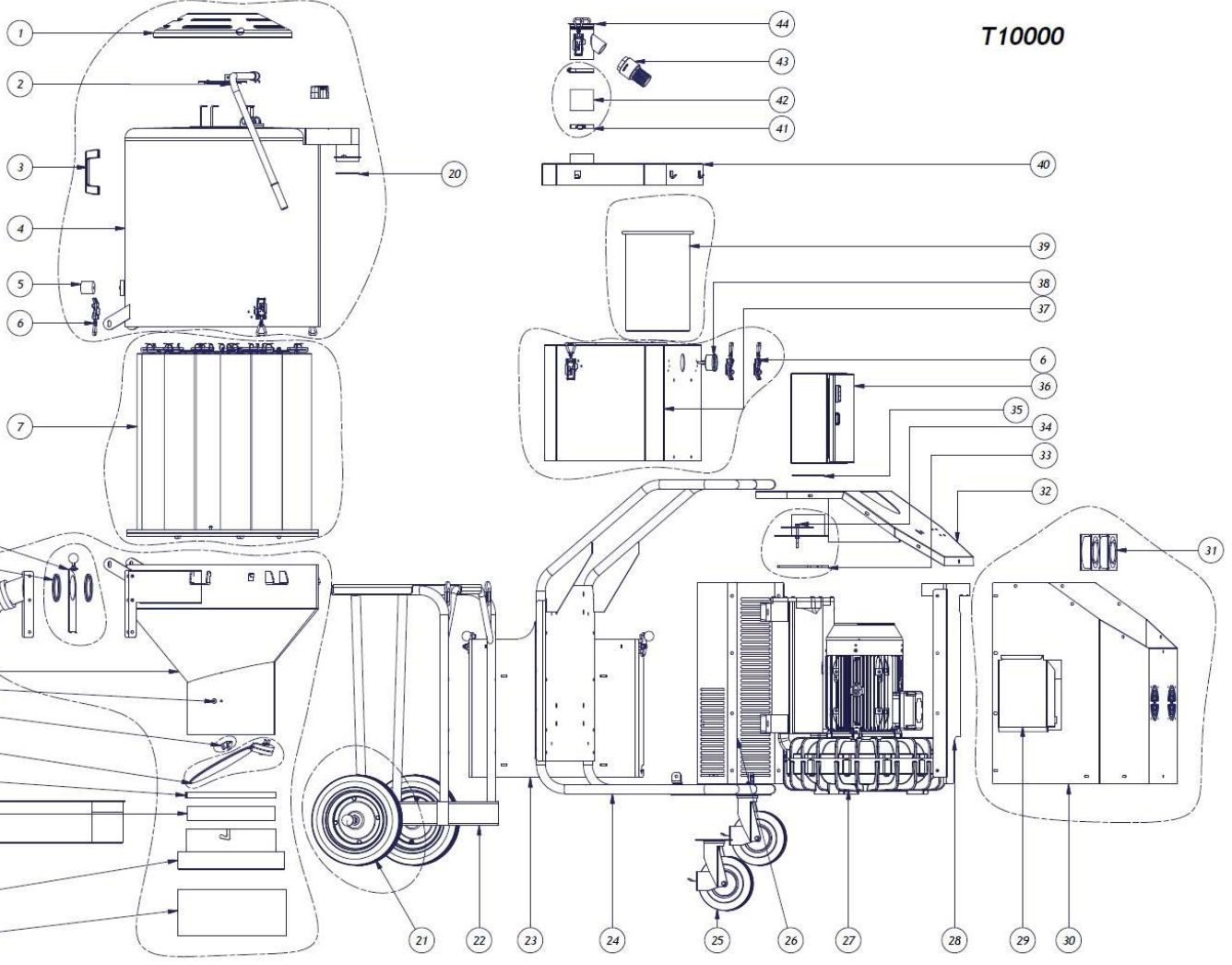
T7500-8600



T7500/T8600

Pos	Article Number	Description	QTY
1	590434301	Top Cover	1
2	590434201	Filter cleaning unit	1
3	590479101	Tank kit	1
4	590434401	Handle	1
5	590433201	Rubber stop	1
6	590433901	Excentric lock kit	5
7	590438801	Filter package kit	1
8	590434101	Valve inc. Gaskets kit	1
9	590436001	Gasket for inlet valve	2
10	590435501	Inlet plate 3" camlock	1
11	590479001	Lower tank kit	1
12	590431901	Holder flap	1
13	590456601	Flap kit	1
14	590432801	Anti skid	1
15	590433401	Belt	1
16	590435801	Longopac holder	1
17	590429201	Longopac bag	1
18	590435701	Front wheel kit (1 wheel + cap)	2
19	590435201	Wagon front	1
20	590435001	Wagon rear	1
21	590432001	Caster wheel	2
22	591880401	Back cover kit	1
23	590435401	Vacuum pump 3x230 V (T7500 230 V)	1
23	590433601	Vacuum pump 3x480 V (T8600)	1
23	590433501	Vacuum pump 3x400 V (T7500 400 V)	1
24	590479301	Exhaust plate kit	1
25	590479201	Motor cover kit	1
26	590433001	Cooling fan motor cover	1
27	N/A	Contact vendor	1
28	590434801	Vacuum pump inlet plate kit	1
29	590434701	Top cover	1
30	N/A	Contact vendor	1
31	590434501	Hepa filter box kit	1
32	590432401	Electrical cabinet 7,5 kW (T7500 230 V)	1
32	590432501	Electrical cabinet 8,6 kW (T8600 480 V)	1
32	590435601	Electrical cabinet FZ (T8600F 400 V)	1
32	590432301	Electrical cabinet 5,5 kW (T7500 400 V)	1
33	590432701	Manometer	1
34	N/A	Hepa filter H13 100% DOP tested	2
34	590433701	Hepa filter H13	2
35	590434601	Top cover hepa filter box	1
36	590433101	76mm (3") Hose clamp	2
37	590432601	Hose 76mm (3")	0,15 (m)
38	590432101	Vacuum check valve	1
39	590432201	Air regulator tube	1

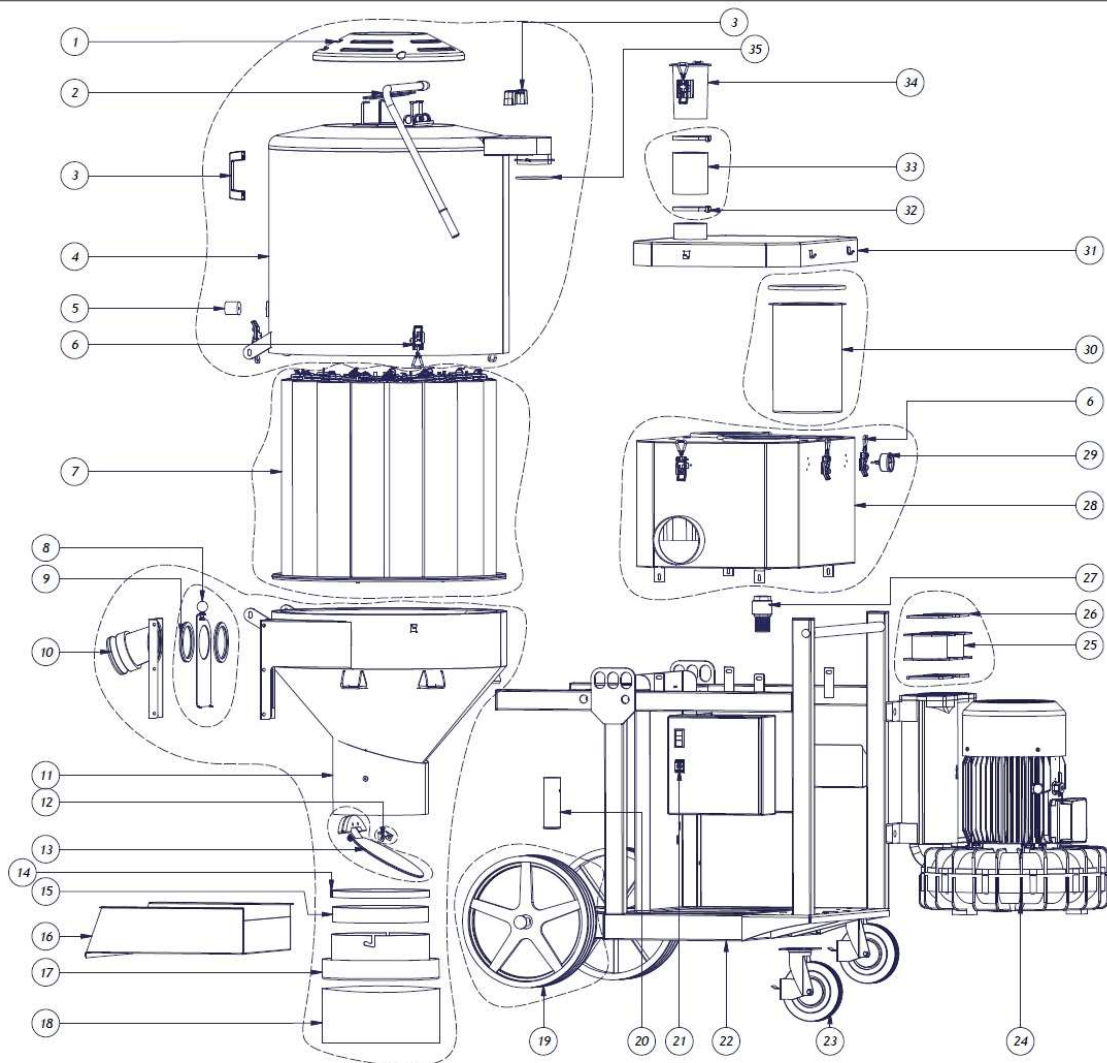
T10000



T10000

Pos	Article Number	Description	QTY
1	590434301	Top cover	1
2	590445001	Filter cleaning unit (T11000)	1
3	590434401	Handle	1
4	590479701	Upper tank kit (T10000)	1
5	590433201	Rubber stop	1
6	590433901	Excentric lock kit	5
7	590438601	FILTER PACKAGE KIT (T10000)	1
8	590434101	Valve incl. Gasket kit	1
9	590436001	Gasket for inlet valve	2
10	590435501	Inlet plate 3" camlock	1
11	590479601	Lower tank kit	1
12	590456801	Nut for longpac holder on lower tank	1
13	590431901	Holder flap	1
14	590456601	Flap kit	1
15	590433401	Belt	1
16	590432801	Anti skid	1
17	N/A	Contact Vendor	1
18	590435801	Longopac holder	2
19	590429201	Longopac bag	1
20	590444001	O-ring 3"	1
21	590435701	Front wheel kit (1 wheel + cap)	2
22	N/A	Contact Vendor	1
23	590433301	Holder pre-sep kit (ex. T10000)	1
24	N/A	Contact Vendor	1
25	590443801	Caster wheel	2
26	N/A	Contact Vendor	1
27	590446801	Vacuum pump 3x480 V 12,6 kW (T10000)	1
27	590446401	Vacuum pump 3x400 V 11 kW (T10000)	1
28	N/A	Contact Vendor	1
29	N/A	Contact Vendor	1
30	N/A	Contact Vendor	1
31	590433001	Cooling fan motor cover	2
32	N/A	Contact Vendor	1
33	N/A	Contact Vendor	1
34	N/A	Contact Vendor	1
35	N/A	Contact Vendor	1
36	590446601	ELECTRICAL CABINET 12,6 kW 480 V (ex. T10000)	1
36	590446301	ELECTRICAL CABINET 11 kW 400 V (ex. T10000)	1
37	N/A	Contact Vendor	1
38	590432701	Manometer	1
39	N/A	Hepa filter H13 100% DOP tested	3
39	590433701	Hepa filter H13	3
40	N/A	Contact Vendor	1
41	590433101	76mm (3") hose clamp	2
42	590432601	Hose 76mm (3")	0,15 (m)
43	590432101	Vacuum check valve	1
44	590432201	Air regulator tube	1

T11000
T12600
T15000
T18000



T11000/T15000/T18000

Pos	Article Number	Description	QTY
1	590434301	Top cover	1
2	590445001	Filter cleaning unit	1
3	590434401	Handle	1
4	590479501	Upper tank kit	1
5	590433201	Rubber stop	1
6	590433901	Excentric lock kit	5
7	590438701	Filter package kit	1
8	590445101	Valve incl. gasket	1
9	590444401	Gasket for inlet valve	2
10	590445501	Inlet plate 4" camlock	1
11	590479401	Lower tank kit	1
12	590431901	Holder flap	1
13	590456601	Flap kit	1
14	590433401	Belt	1
15	590432801	Anti skid	1
16	590444301	Bottom plate	1
17	590435801	Longopac holder	1
18	590429201	Longopac bag	1
19	590445201	Front wheel kit	2
20	590444101	Stripe holder	1
21	590444701	Electrical cabinet 11 kW 400 V (T11000)	1
21	590445901	Electrical cabinet 12,6/18 kW 480 V (T12600,T18000)	1
21	590446001	Electrical cabinet 15 kW 230 V (T15000)	1
22	N/A	Contact Vendor	1
23	590443801	Caster wheel	2
24	590443701	VACUUM PUMP 11 kW 400 V (T11000)	1
24	590444601	VACUUM PUMP 12,6 kW 480 V (T12600)	1
24	590446101	VACUUM PUMP 15 kW 230 V (T15000)	1
24	590446201	VACUUM PUMP 18 kW 480 V (T18000)	1
25	N/A	Contact Vendor	1
26	N/A	Contact Vendor	1
27	590443901	Vacuum check valve	1
28	590444801	Hepa filter box kit	1
29	590432701	Manometer	1
30	590433701	Hepa filter H13	4
31	590444501	Top cover hepa filter box	1
32	590445601	102mm (4") Hose clamp	2
33	590444901	Hose 102mm (4") kit	1
34	590445301	Hose connection 102mm (4") female	1